

PURIFIERS

PURE H2O RODI S

—Technologically the world's smartest drinking water system



Reverse Osmosis (RO) removes up to 70% of nitrates, 96% of lead, 98% of heavy metals commonly found in tap water. Combined with Delonisation (DI), our RODI systems remove 99.99% of tap water impurities both both man-made and naturally-occurring, including pesticides such as slug poison bacteria, pharmaceuticals and drug residues, hormones and petrochemicals.

Built and designed to run efficiently, our RO and RODI systems last longer than any others available and consistently produce pure water with minimum water usage. The most water efficient RO and patented RODI systems in the world.

Our most advanced RODI system and technologically the world's leading drinking water system. With its rapid fill system the PURE H2O RODI S can be connected to other kitchen appliances including steam ovens, fridges, ice makers, coffee machines and our Quatreau touch-sensitive tap system.

PURE H2O RODI S FEATURES AND BENEFITS

PATENTED AUTOFLUSH

Prolonged membrane life.

MICRO SWITCH DEACTIVATION

Higher levels of purity and consistent production rates.

ANTI-BLEED MECHANISM

Minimises impurities breaching the RO stage.

RAPID FILL SYSTEM

5 litres per hour.

CONNECT YOUR KITCHEN

Link to steam ovens, fridges, ice makers, and coffee machines.

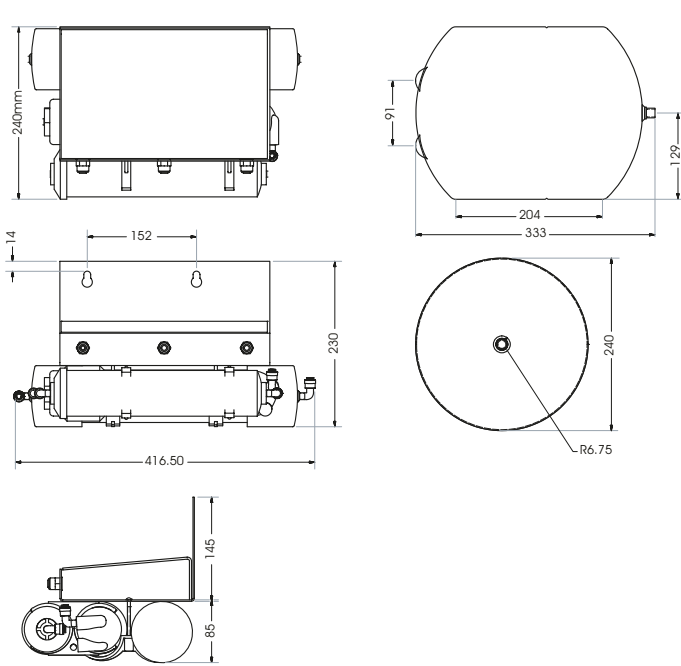
PATENTED COUPLING OF DI TO RO

Removes impurities that RO cannot effectively remove.

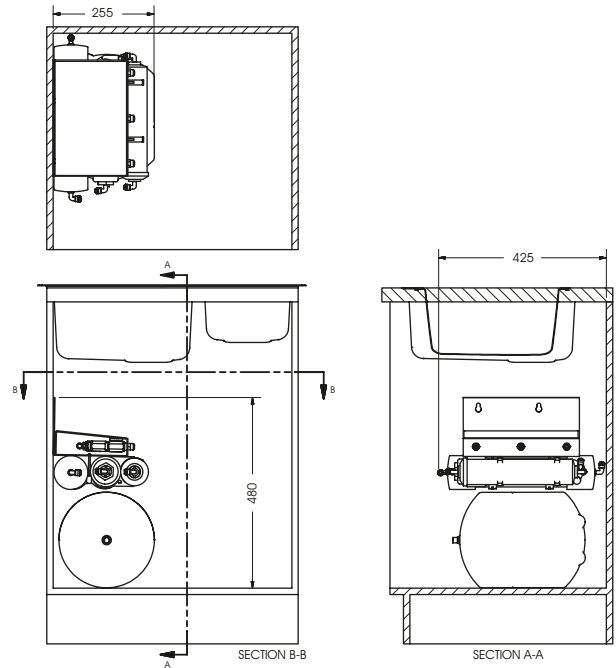


PURE H2O RODI S water purification systems can be installed beneath a sink or remotely in a utility area.

**PURE H2O RODI S
DIMENSIONS**



**Typical installation for subsink systems
with standard 8ltr reservoir**



**PURE H2O RODI S
DETAILED SPECIFICATION**

REMOVAL RATES

- 99.99% micro-organisms
- 99.99% organics
- 99.99% heavy metals
- 99.99% lead
- 99.99% nitrates

PRODUCTION RATES

Auto flush 5ltrs/hr

DIMENSIONS

Below Sink Unit:
416W x 240D x 230H mm

Below Sink Reservoir:
333W x 240 Dia. mm

SITE PREPARATION

Pure H2O engineers install water purification systems beneath the sink or remotely in the utility area. Systems can be connected directly to fridges, steam ovens, ice makers, coffee machines and drinking faucets, eliminating hard water damage.

- Isolated mains cold (15mm)
- Trapped drain with upstand or connection can be made to trapped drain on sink
- Powerpoint 13amp
- 13mm penetration for faucet

It is not recommended customers install or carry out any repairs to their system.

ANNUAL SERVICE

Servicing and replacing the exhausted components every 12 months keeps your system fully optimised so you'll enjoy the great taste and benefits of pure water day in, day out, and be assured of the RODI REMOVAL RATES.

For further information and to see the full range of purifiers, softeners and multifunction taps visit pureh2o.co.uk